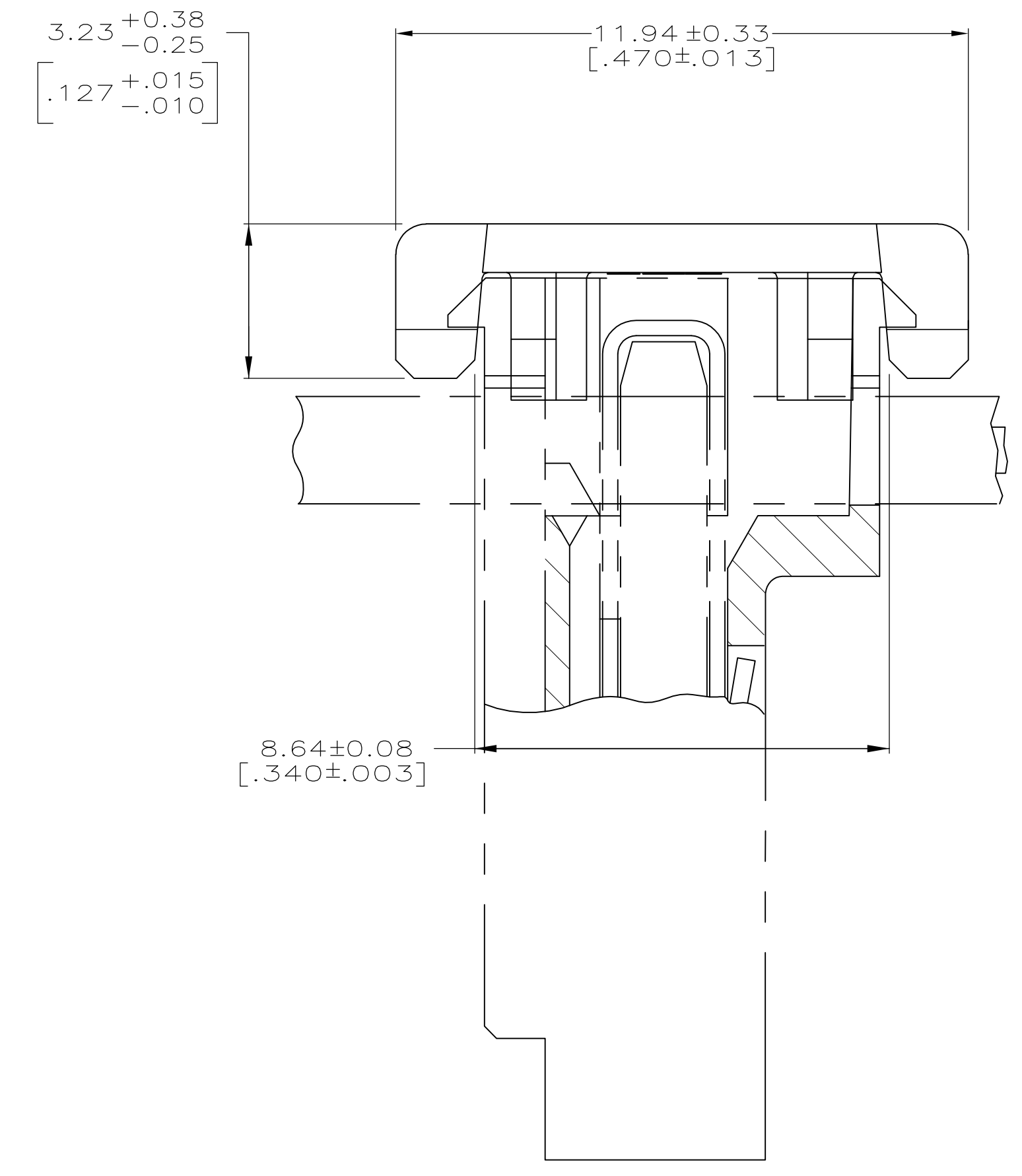
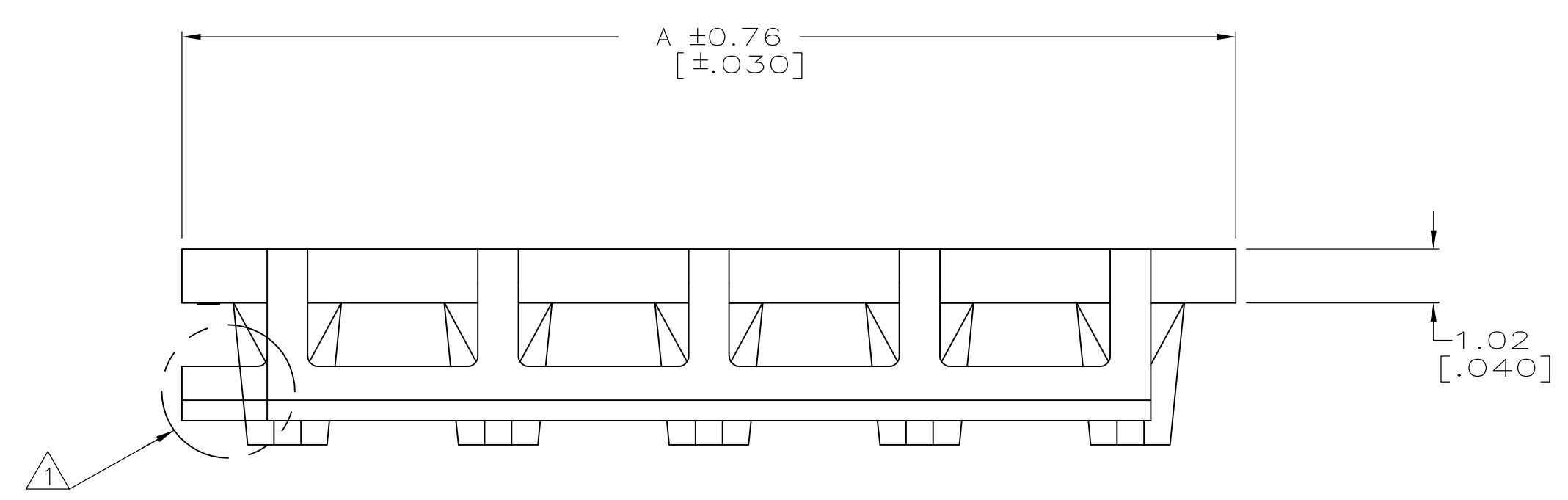
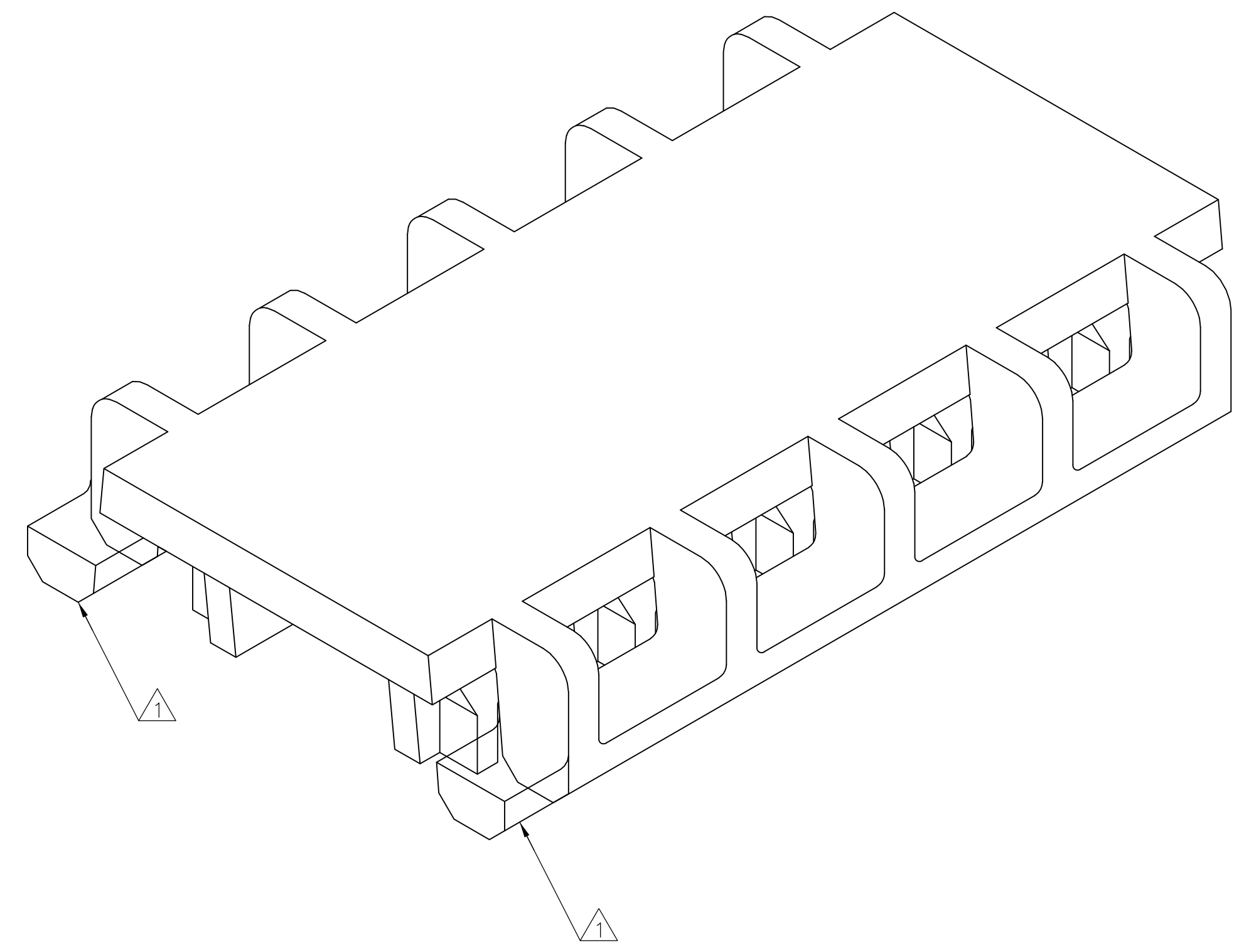


LOC	DIST	REVISIONS					
CM	54	P	LTR	DESCRIPTION	DATE	DWN	APVD
		F1		REVISED PER ECO-11-004820	11MAR11	RK	HMR



1 PART MAY BE MOLDED TO DESIRED POSITION SIZE OR CUT TO DESIRED POSITION SIZE FROM A LARGER POSITION SIZE PART. WHEN PART IS CUT TO DESIRED POSITION SIZE, A PORTION OF FRONT LOCKING BAR WILL REMAIN ATTACHED.

2. DIMENSIONS IN BRACKETS ARE IN INCHES.



3-DIMENSIONAL MODEL
NTS

24 CIRCUIT ASSEMBLIES	95.10	[3.744]	2-643071-4
23 CIRCUIT ASSEMBLIES	91.14	[3.588]	2-643071-3
22 CIRCUIT ASSEMBLIES	87.17	[3.432]	2-643071-2
21 CIRCUIT ASSEMBLIES	83.21	[3.276]	2-643071-1
20 CIRCUIT ASSEMBLIES	79.25	[3.120]	2-643071-0
19 CIRCUIT ASSEMBLIES	75.29	[2.964]	1-643071-9
18 CIRCUIT ASSEMBLIES	71.32	[2.808]	1-643071-8
17 CIRCUIT ASSEMBLIES	67.36	[2.652]	1-643071-7
16 CIRCUIT ASSEMBLIES	63.40	[2.496]	1-643071-6
15 CIRCUIT ASSEMBLIES	59.44	[2.340]	1-643071-5
14 CIRCUIT ASSEMBLIES	55.47	[2.184]	1-643071-4
13 CIRCUIT ASSEMBLIES	51.51	[2.028]	1-643071-3
12 CIRCUIT ASSEMBLIES	47.55	[1.872]	1-643071-2
11 CIRCUIT ASSEMBLIES	43.59	[1.716]	1-643071-1
10 CIRCUIT ASSEMBLIES	39.62	[1.560]	1-643071-0
9 CIRCUIT ASSEMBLIES	35.66	[1.404]	643071-9
8 CIRCUIT ASSEMBLIES	31.70	[1.248]	643071-8
7 CIRCUIT ASSEMBLIES	27.74	[1.092]	643071-7
6 CIRCUIT ASSEMBLIES	23.77	[.936]	643071-6
5 CIRCUIT ASSEMBLIES	19.81	[.780]	643071-5
4 CIRCUIT ASSEMBLIES	15.85	[.624]	643071-4
3 CIRCUIT ASSEMBLIES	11.89	[.468]	643071-3
2 CIRCUIT ASSEMBLIES	7.92	[.312]	643071-2
USE ON MTA 156 ASSEMBLIES AS LISTED		A	PART NO

THIS DRAWING IS A CONTROLLED DOCUMENT.

DIMENSIONS: mm [INCHES]	TOLERANCES UNLESS OTHERWISE SPECIFIED:	DWN R. VESTAL 10-13-95	CHK R. SWING 10-13-95	APVD D. CLARK 10-13-95	NAME STE TE Connectivity
0 PLC ± -	1 PLC ± -	2 PLC ± -	3 PLC ± 0.13 [.005]	4 PLC ± ± -	ANGLES ± ± -
MATERIAL NYLON,UL 94V-2 WHITE	FINISH -	WEIGHT -	SCALE 10:1	SIZE A1	CAGE CODE 00779
CUSTOMER DRAWING			SCALE 10:1	SHEET 1 OF 1	REV F1

COVER, FEED-THRU, MOLDED, .095 MAX, O.D. WIRE, MTA-156

DRAWING NO: 643071